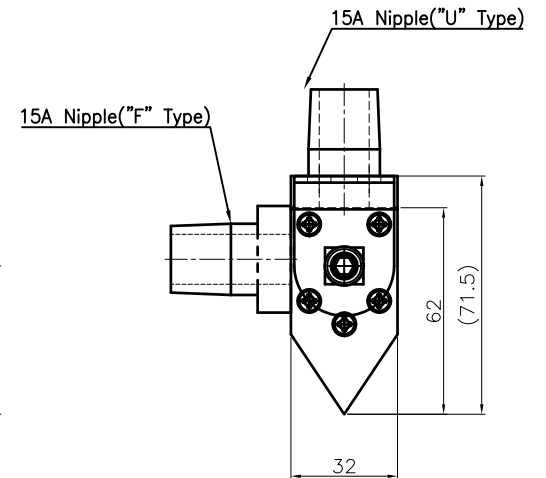
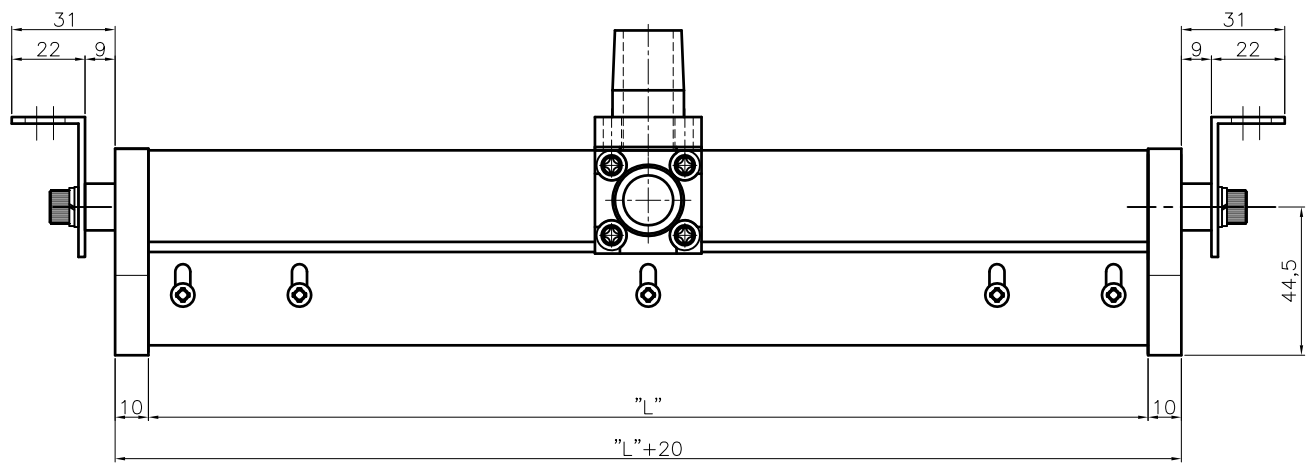
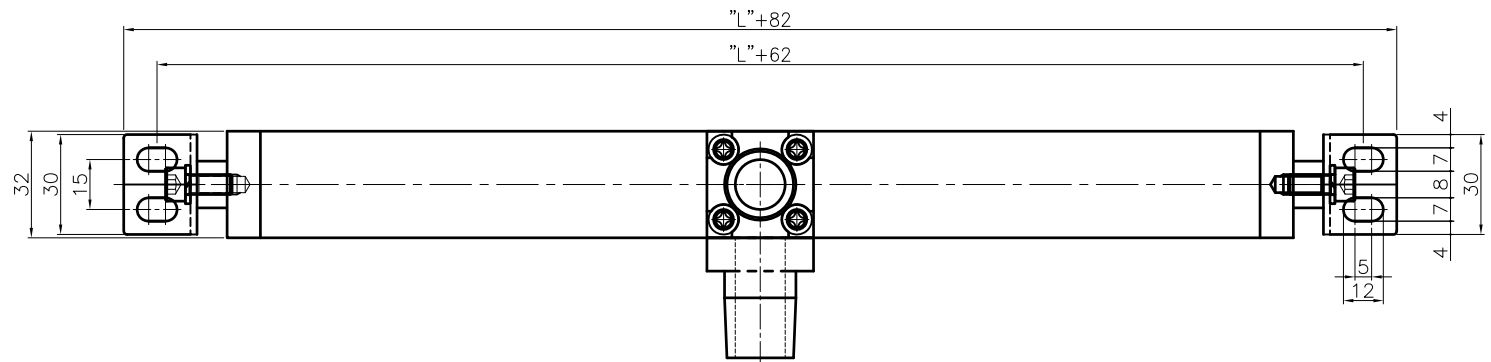


RevNo	Revision note	Date	Reviser	Checked
-------	---------------	------	---------	---------



No	Description	Specification	Q'ty	Material	Weight	Remark
Designed	Checked	Approved	Size	Filename	Date	Scale
			A3			1/1
Customer			Title			
			Air knife Ass'y			
Maker			Air knife(15A-"U1", "F1" Type)			
			drawing no.		Edition	
					0	